

PM FSBSM C

PRISM Tap Range Prism Floor Standing Bath Shower Mixer Chrome



Specification

Product Type:	Taps
Main Construction Material:	Brass
Mount Type:	Wall
Handle Type:	Lever
Connection Inlet:	1/2" BSP
Connection Outlet:	G 1/2"
Number of Tap Holes:	N/A
Valve/Cartridge Type:	40mm Single Lever Cartridge
Plumbing System Requirements:	Suitable for all plumbing systems
Minimum Dynamic Pressure (bar):	2 bar
Maximum Dynamic Pressure (bar):	5 bar
Maximum Hot Water Temperature °C:	65°C
Maximum Static Pressure (bar):	10 bar
Flow Type:	Single
Isolation Included:	No

Features:

- Long life ceramic cartridge for added durability and ease of use
- Easy to use lever handle
- Includes 1.5m hose and rub-clean anti-limescale handset
- Minimum working pressure of 2.0 bar

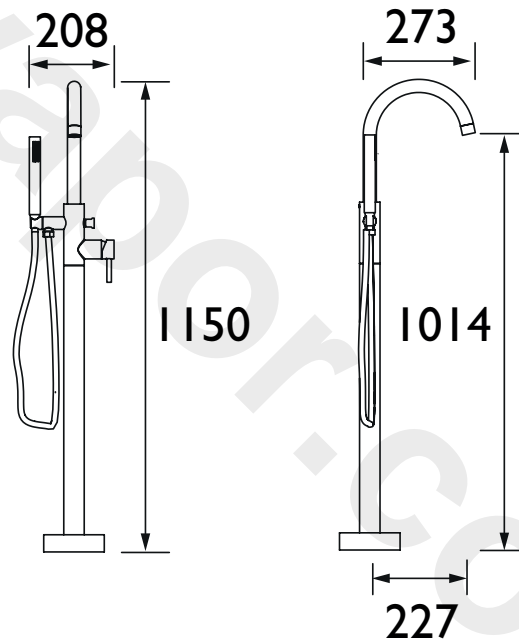
Product Certifications:



For more products, visit our website:
<http://www.bristan.com>



Dimensions (measurements in mm)



Flow Rates (l/min)

System Pressure (bar)	2	3	5
Through Bath Filler (mixed)	21.1	25.9	33.4
Through Handset (mixed)	14	17.1	22.1

TECHNICAL DATA SHEET



BRISTAN

D5